

# DIN CONNECTOR

## Module Power Connector



### FEATURES

- Pin and hole type design contact system**  
 Minimal contact resistance at high current, wiping action cleans contact surface during connection/disconnection
- Modular housings**  
 Recommended application voltage per industry standards.  
 Prevents accidental mating of components operating at different voltage levels
- Touch safe interface**  
 Minimizes potential contact with live circuits per EN 1175-1, DIN 43589.

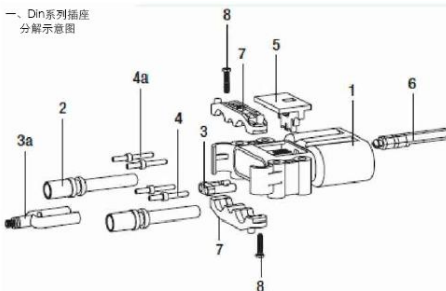
### 特征

- 针孔接触技术**  
 强电流下接触电阻小，断开过程中产生的擦拭动作可清洁接触件表面
- 模块化外壳**  
 根据行业标准推荐的使用电压。避免两个带有不同电压编码的胶壳配插（消除电源与插座误插的可能性）
- 防金手指设计**  
 大大降低了生活中电路的潜在风险，依照 EN 1175-1, DIN 43589

### PRODUCT SPECIFICATIONS/产品规格

Current Rating (Amperes) 额定电流 (安培)	80 A 16, 25 m <sup>2</sup> 160 A 25, 35, 50 m <sup>2</sup> 320 A 50, 70/95 m <sup>2</sup>
Voltage Ratings (Volts) 额定电压 (伏特)	150
Service voltages (able to be coded) (Volts) 辅助电压 (伏特)	24, 36, 48, 72, 80, 96
Contact Barrel Wire Size(AWG) 适用线径(AWG) (m <sup>2</sup> ) (m <sup>2</sup> )	5 to 3/0 16 to 95
Maximum Wire Insulation Diameter(inches) 最大绝缘导线直径(英寸) (mm) (毫米)	0.99 25
Operating Temperature Range °C °F 工作温度	-20° to 105° -4° to 221°
Flammability Rating of Housing Material 材料防火等级 Plastic(塑胶壳) NYLON Contact(端子) Copper Alloy Silver plating	UL94 V-0

### MALE HOUSING/公胶壳



#### Assembly Part Numb 组装料号

- Din80-M25-4S-kit ( DIN80 公胶壳配 25mm<sup>2</sup>公端子 )
- Din160-M50-4S-kit( DIN160 公胶壳配 50mm<sup>2</sup>公端子 )
- Din160-M35-4S-kit( DIN160 公胶壳配 35mm<sup>2</sup>公端子 )
- Din320-M70-kit ( DIN320 公胶壳配 70mm<sup>2</sup>公端子 )
- Din320-M50-kit ( DIN320 公胶壳配 50mm<sup>2</sup>公端子 )

Your Best High Power Connection



Shenzhen Grid Power Connectors Co., Ltd

Tel: +86 0755-23208099 23205933

Address: The 2nd Floor, Building B&C, Plant 1, Senyang, Technology Park, Guangming District, Shenzhen City, PRC

www.gridpower-conn.com www.grd-power.com

# DIN CONNECTOR

## Module Power Connector

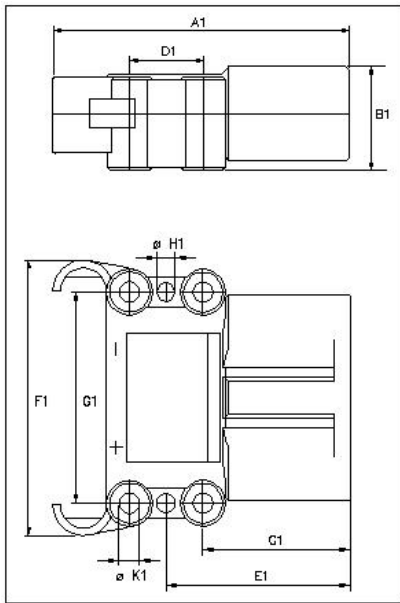


零件品名	客户料号
1. 公胶壳 —— 1个 (Socket Housing —— 1pcs)	DIN80-M-BK
2. 电源公端子 —— 2个 (PIN Contact —— 2pcs)	G80-1025
5. 盖板 —— 1个 (Cover —— 1pcs)	80M-5
6. 电压件 —— 1个 (Voltage Key —— 1pcs)	80-6
7. 线材固定夹 —— 2个 (Cable Clamp —— 2pcs)	80-7
8. 压线扣的螺丝: M3.5*18PB - 2个	M3.5*18PB

零件品名	客户料号
1. 公胶壳 —— 1个 (Socket Housing —— 1pcs)	DIN160-M-BK
2. 电源公端子 —— 2个 (PIN Contact —— 2pcs)	G160-1035 G160-1050
5. 盖板 —— 1个 (Cover —— 1pcs)	160M-5
6. 电压件 —— 1个 (Voltage Key —— 1pcs)	160-6
7. 线材固定夹 —— 2个 (Cable Clamp —— 2pcs)	160-7
8. 压线扣的螺丝: M3.5*18PB - 2个	M3.5*18PB
9. 拉手 —— 1个 (Handle —— 1pcs)	160-9

拉手可根据客户要求选配

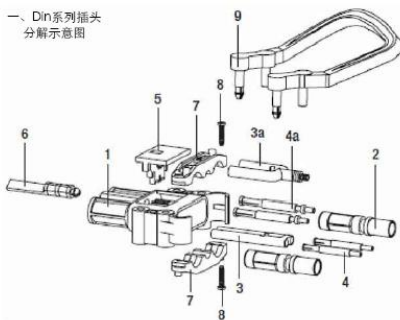
零件品名	客户料号
1. 公胶壳 —— 1个 (Socket Housing —— 1pcs)	DIN320-M-BK
2. 电源公端子 —— 2个 (PIN Contact —— 2pcs)	G320-1050
5. 盖板 —— 1个 (Cover —— 1pcs)	320M-5
6. 电压件 —— 1个 (Voltage Key —— 1pcs)	160-6
7. 线材固定夹 —— 2个 (Cable Clamp —— 2pcs)	160-7
8. 压线扣的螺丝: M3.5*18PB - 2个 锁拉手螺丝: M4*36PA —— 2个	M3.5*18PB M4*36PA
9. 拉手 —— 1个 (Handle —— 1pcs)	160-9



Plug Part Number	Dimensiona mm								
	A1	B1	C1	D1	E1	F1	G1	H1	K1
DIN80-M-BK	74	25.0	30±0.3	—	—	78	56	—	6.4
DIN80-M-GR	74	25.0	30±0.3	—	—	78	56	—	6.4
DIN160-M-BK	97	33	48±0.5	24	60	90	69	6.0	6.6
DIN160-M-GR	97	33	48±0.5	24	60	90	69	6.0	6.6
DIN320-M-BK	130	38.0	54±0.5	24	66	91.5	69	6.0	6.6
DIN320-M-GR	130	38.0	54±0.5	24	66	91.5	69	6.0	6.6

### FEMALE HOUSING/母胶壳

一、Din系列插头  
分解示意图



### Assembly Part Numb 组装机号

- Din80-M25-4S-kit ( DIN80 公胶壳配 25mm<sup>2</sup>公端子 )
- Din160-M50-4S-kit( DIN160 公胶壳配 50mm<sup>2</sup>公端子 )
- Din160-M35-4S-kit( DIN160 公胶壳配 35mm<sup>2</sup>公端子 )
- Din320-M70-kit ( DIN320 公胶壳配 70mm<sup>2</sup>公端子 )
- Din320-M50-kit ( DIN320 公胶壳配 50mm<sup>2</sup>公端子 )

零件品名	客户料号
1. 母胶壳 —— 1个 (Plug Housing —— 1pcs)	DIN80-P-BK
2. 电源母端子 —— 2个 (Socket Contact —— 2pcs)	G80-1125
5. 盖板 —— 1个 (Cover —— 1pcs)	80P-5
6. 电压件 —— 1个 (Voltage Key —— 1pcs)	80-6
7. 线材固定夹 —— 2个 (Cable Clamp —— 2pcs)	80-7
8. 压线扣的螺丝: M3.5*18PB - 2个	M3.5*18PB

零件品名	客户料号
1. 母胶壳 —— 1个 (Plug Housing —— 1pcs)	DIN160-P-BK
2. 电源母端子 —— 2个 (Socket Contact —— 2pcs)	G160-1135 G160-1150
5. 盖板 —— 1个 (Cover —— 1pcs)	160P-5
6. 电压件 —— 1个 (Voltage Key —— 1pcs)	160-6
7. 线材固定夹 —— 2个 (Cable Clamp —— 2pcs)	160-7
8. 压线扣的螺丝: M3.5*18PB - 2个	M3.5*18PB

零件品名	客户料号
1. 母胶壳 —— 1个 (Plug Housing —— 1pcs)	DIN320-P-BK
2. 电源母端子 —— 2个 (Socket Contact —— 2pcs)	G320-1150
5. 盖板 —— 1个 (Cover —— 1pcs)	320P-5
6. 电压件 —— 1个 (Voltage Key —— 1pcs)	160-6
7. 线材固定夹 —— 2个 (Cable Clamp —— 2pcs)	320-7
8. 压线扣的螺丝: M3.5*18PB - 2个 锁拉手螺丝: M4*36PA —— 2个	M3.5*18PB M4*36PA
9. 拉手 —— 1个 (Handle —— 1pcs)	160-9

Your Best High Power Connection



Shenzhen Grid Power Connectors Co., Ltd

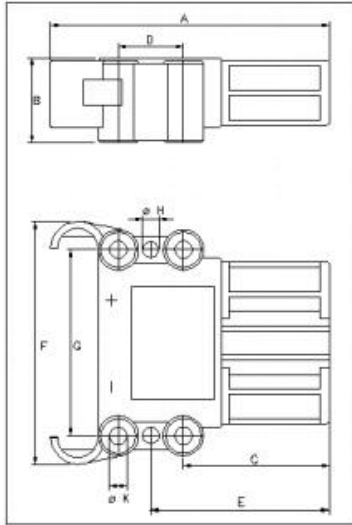
Tel: +86 0755-23208099 23205933

Address: The 2nd Floor, Building B&C, Plant 1, Senyang, Technology Park, Guangming District, Shenzhen City, PRC

www.gridpower-conn.com www.grd-power.com

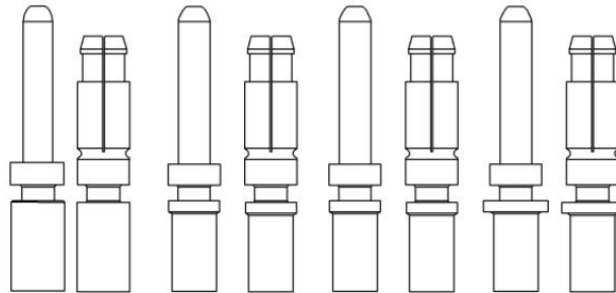
# DIN CONNECTOR

Module Power Connector



Socket Part Number	Dimensiona mm								
	A1	B1	C1	D1	E1	F1	G1	H1	K1
DIN80-F-BK	74	25.0	30±0.3	—	—	78	56	—	6.3
DIN80-F-GR	74	25.0	30±0.3	—	—	78	56	—	6.3
DIN160-F-BK	103	30	54±0.5	24	66	90	69	6.0	6.6
DIN160-F-GR	103	30	54±0.5	24	66	90	69	6.0	6.6
DIN320-F-BK	130	38.0	54±0.5	24	66	91.5	69	6.0	6.6
DIN320-F-GR	130	38.0	54±0.5	24	66	91.5	69	6.0	6.6

## CONTACT/接触件



Part Number 料号	Contacts Type 接触件类型	Wire Size 线径	Part Number 料号	Contacts Type 接触件类型	Wire Size 线径	Part Number 料号	Contacts Type 接触件类型	Wire Size 线径
80-1016	Pin 针	16 mm <sup>2</sup>	160-1016	Pin 针	16 mm <sup>2</sup>	320-1050	Pin 针	50 mm <sup>2</sup>
80-1116	Socket 孔	16 mm <sup>2</sup>	160-1116	Socket 孔	16 mm <sup>2</sup>	320-1050	Socket 孔	50 mm <sup>2</sup>
80-1025	Pin 针	25 mm <sup>2</sup>	160-1025	Pin 针	25 mm <sup>2</sup>	320-1070	Pin 针	70 mm <sup>2</sup>
80-1125	Socket 孔	25 mm <sup>2</sup>	160-1125	Socket 孔	25 mm <sup>2</sup>	320-1070	Socket 孔	70 mm <sup>2</sup>
80-1035	Pin 针	35 mm <sup>2</sup>	160-1035	Pin 针	35 mm <sup>2</sup>	320-1095	Pin 针	95 mm <sup>2</sup>
80-1135	Socket 孔	35 mm <sup>2</sup>	160-1135	Socket 孔	35 mm <sup>2</sup>	320-1195	Socket 孔	95 mm <sup>2</sup>
			160-1050	Pin 针	50 mm <sup>2</sup>			
			160-1150	Socket 孔	50 mm <sup>2</sup>			

Your Best High Power Connection



Shenzhen Grid Power Connectors Co., Ltd

Tel: +86 0755-23208099 23205933

Address: The 2nd Floor, Building B&C, Plant 1, Senyang, Technology Park, Guangming District, Shenzhen City, PRC

www.gridpower-conn.com www.grd-power.com

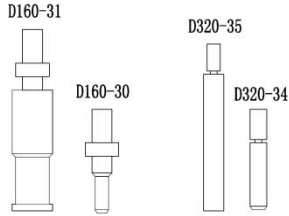
# DIN CONNECTOR

## Module Power Connector

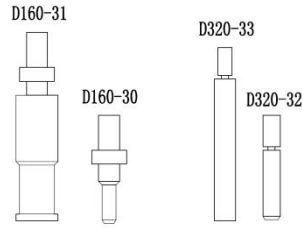


### GPC DIN Auxiliary Contacts/接触件

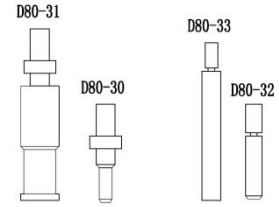
#### DIN 320A Aux's



#### DIN 160A Aux's



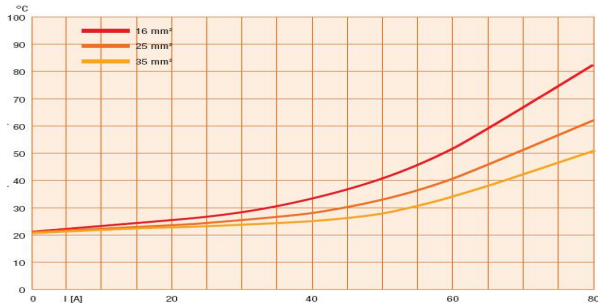
#### DIN 80A Aux's



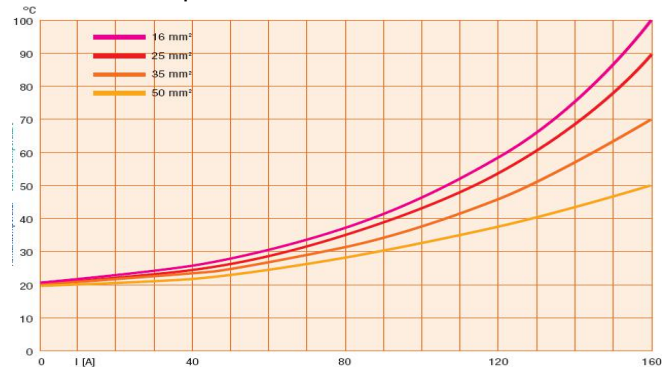
D320A Auxiliary Contacts (Rema Compatible)		D160A Auxiliary Contacts (Rema Compatible)		D80A Auxiliary Contacts (Rema Compatible)	
Part Number (料号)	Description 描述	Part Number (料号)	Description 描述	Part Number (料号)	Description 描述
D160-30	Lower Pin Aux 6mm	D160-30	Lower Pin Aux 6mm	D80-30	Lower Pin Aux 2.5mm
D160-31	Lower Socket Aux 6mm	D160-31	Lower Socket Aux 6mm	D80-31	Lower Socket Aux 2.5mm
D320-34	Upper Pin Aux 4mm	D160-32	Upper Pin Aux 4mm	D80-32	Upper Pin Aux 1.5mm
D320-35	Upper Socket Aux 4mm	D160-33	Upper Socket Aux 4mm	D80-33	Upper Socket Aux 1.5mm

### TEMPERATURE RISE CHARTS/温升测试

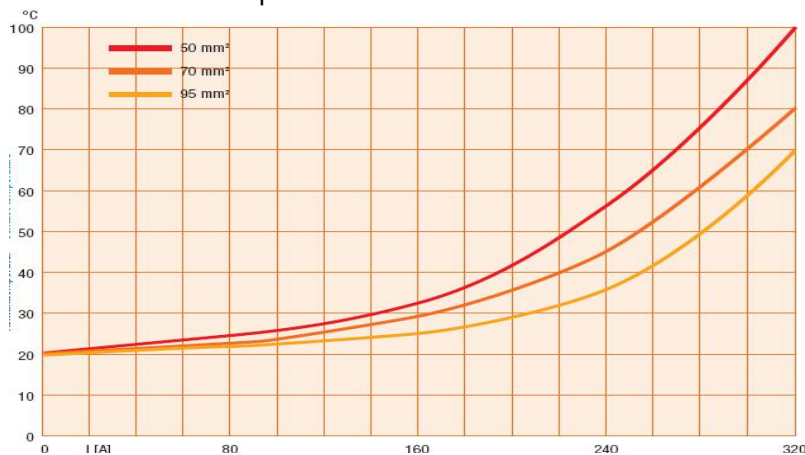
DIN 43589-1 80 A  
Temperature rise at constant current



DIN 43589-1 160 A  
Temperature rise at constant current



DIN 43589-1 320 A  
Temperature rise at constant current



Your Best High Power Connection



Shenzhen Grid Power Connectors Co., Ltd

Tel: +86 0755-23208099 23205933

Address: The 2nd Floor, Building B&C, Plant 1, Senyang, Technology Park, Guangming District, Shenzhen City, PRC

www.gridpower-conn.com www.grd-power.com